



CS403- Database Management Systems
Solved MCQS
From Final term Papers

June 26,2012

MC100401285

Moaaz.pk@gmail.com

Mc100401285@vu.edu.pk

PSMD01

FINALTERM EXAMINATION
Spring 2010
CS403- Database Management Systems

Question No: 1 (Marks: 1)

Which feature of database provides conversion from inconsistent state of DB to a consistent state ensuring minimum data loss?

- ▶ User accessible catalog
- ▶ Data processing
- ▶ Authorization service
- ▶ **Recovery service (Page 47)**

Question No: 2 (Marks: 1)

Which of the following statements is true about the views?

- ▶ view is always a complete set of all the tables in a database
- ▶ View can not be used for retrieving data
- ▶ **The results of using a view are not permanently stored in the database.** [Click here for detail](#)
- ▶ Rows can not be updated or deleted in the view

Question No: 3 (Marks: 1)

Which of the following is true about TRUNCATE?

- ▶ Can be Rolled back.
- ▶ Activates Triggers.
- ▶ is DML Command.
- ▶ **Resets identity of the table.** [Click here for detail](#)

Question No: 4 (Marks: 1)

Which of the following is the correct way to find out the size of cartesian product incase of CROSS JOIN?

- ▶ the number of columns in the first table multiplied by the number of columns in the second table.
- ▶ the number of columns in the first table multiplied by the number of rows in the second table.
- ▶ the number of rows in the first table multiplied by the number of columns in the first table.
- ▶ **the number of rows in the first table multiplied by the number of rows in the second table.**

[Click here for detail](#)

Question No: 5 (Marks: 1)

Suppose there are 8 rows and 4 columns in TABLE1 and 3 rows and 4 columns in TABLE2; what is the size of the cartesian product incase of CROSS JOIN between these two tables?

- ▶ **24** (The number of rows in the first table multiplied by the number of rows in the second table)
- ▶ 32
- ▶ 12
- ▶ 16

Question No: 6 (Marks: 1)

Which of the following is not one of the properties of Transaction?

- ▶ atomicity
- ▶ consistency
- ▶ **redundancy (Page 294)**
- ▶ durability

Question No: 7 (Marks: 1)

Which of the following is INCORRECT about VIEWS?

- ▶ **It is not possible to left out the data which is not required for a specific view. (Page 280)**
- ▶ A database view displays one or more database records on the same page.
- ▶ Views can be used as security mechanisms
- ▶ Views are generally used to focus the perception each user has of the database.

Question No: 8 (Marks: 1)

Each course section is assigned a particular faculty member, and each course section corresponds to a particular course. Conceptually, what is the relationship between faculty and course (not course section).

- ▶ 1:1
- ▶ 1:M
- ▶ **M:M** [Click here for detail](#)
- ▶ Ternary

Question No: 9 (M a r k s: 1)

Which of the following is used to add or drop columns in an existing table?

- ▶ ALTER (Page 207)
- ▶ HAVING
- ▶ SELECT
- ▶ THEN

Question No: 10 (M a r k s: 1)

Which of the following is a correct way of selecting all the columns from a table called PERSONS?

- ▶ SELECT FROM * Persons
- ▶ SELECT * FROM Persons (Page 216)
- ▶ SELECT * WHERE Persons
- ▶ SELECT WHERE * Persons

Question No: 11 (M a r k s: 1)

Which of the following is NOT a feature of Indexed sequential files?

- ▶ Records are stored in sequence and index is maintained.
- ▶ Dense and nondense types of indexes are maintained.
- ▶ Track overflows and file overflow areas can not be ensured. (Page 264)
- ▶ Cylinder index increases the efficiency

Question No: 12 (M a r k s: 1)

<i>Student</i>		<i>Instructor</i>	
First Name	Last Name	Fname	Lname
Saman	Perera	Ajith	Gamage
Romesh	Dias	Sujith	Hewage
Jeeva	Silva	Saman	Perera
Nadee	Alwis	Kasun	Peiris
Kumari	Costa	Romesh	Dias
Geetha	Zoysa		
Prasad	Fernando		

Consider the given relations *Student* and *Instructor* as given below. Please note that Fname and Lname also denote the First Name and Last Name respectively.

Which of the following statements is correct with respect to the two relations given above?

- ▶ The two relations are not union-compatible since their attribute names differ. (Page 152)
- ▶ The two relations are union-compatible since they have the same type of tuples.
- ▶ The set operations such as CARTESIAN PRODUCT and DIVISION can be applied on these two relations.
- ▶ To find out the students who are not instructors, it is necessary to perform the operation $Student \div Instructor$.

Question No: 13 (Marks: 1)

Which of the following serves as a milestone or reference point in the log file?

- ▶ Constraints
- ▶ Relations
- ▶ **Check points (Page 304)**
- ▶ Transactions identities

Question No: 14 (Marks: 1)

Which of the following is not true regarding DB transactions?

- ▶ **A set of database operations that are processed partly (Page 291)**
- ▶ A database transaction is a logical unit of database operations
- ▶ A database transaction must be atomic
- ▶ A database transaction must contains the ACID property

Question No: 15 (Marks: 1)

Which of the following are the general activities, which are performed during the development of application programs?

- ▶ Data input programs
- ▶ Editing
- ▶ Display
- ▶ **All of given (Page 238)**

Question No: 16 (Marks: 1)

Browser based forms are developed in the following tools EXCEPT

- ▶ HTML
- ▶ Scripting language
- ▶ Front Page
- ▶ **Web-based Forms (Page 241)**

Question No: 17 (Marks: 1)

Which of the following is not a form of optical disk?

- ▶ CD ROM
- ▶ WORM
- ▶ Erasable Optical
- ▶ **EEPROM (Page 257)**

Question No: 18 (Marks: 1)

Which of the following is the correct description of *cache hit*?

- ▶ **When data is found in the cache (Page 256)**
- ▶ When data is removed in the cache
- ▶ The number of times the cache is accessed directly by the processor
- ▶ When data is lost from the cache

Question No: 19 (Marks: 1)

In which of the following situations, Clustering is suitable:

- ▶ Frequently updating
- ▶ **Relatively static (Page 192)**
- ▶ Relatively deletion
- ▶ Relatively dynamic

Question No: 20 (Marks: 1)

Only one type of constraint can be enforced in any table by **CREATE** command

- ▶ True
- ▶ **False (Page 205)**

Question No: 21 (Marks: 1)

Which of the following is disadvantage of **chaining** technique to handle the collisions?

- ▶ Unlimited Number of elements
- ▶ Fast re-hashing
- ▶ **Overhead of multiple linked lists (Page 269)**
- ▶ Maximum number of elements must be known

Question No: 22 (Marks: 1)

EmpNo	DeptNo	ProjNo
1001	01	12
1001	01	13
1002	01	12
1003	01	14

Consider the following relation R and its sample data. (Consider that these are the only tuples for the given relation)

Which of the following statements is NOT correct?

- ▶ The functional dependency ProjNo -> DeptNo holds over R.
- ▶ **The functional dependency (EmpNo, ProjNo) -> DeptNo holds over R.**
- ▶ The functional dependency DeptNo -> ProjNo holds over R.
- ▶ The functional dependency EmpNo -> DeptNo holds over R.

Question No: 23 (Marks: 1)

An entity type is

- ▶ defined when the database is actually constructed
- ▶ a specific type such as an integer, text, date, logical etc
- ▶ **a coherent set of similar objects that we want to store data on (e.g. STUDENT, COURSE, CAR)**
- ▶ defined by the database designer

Question No: 24 (Marks: 1)

An entity can be logically connected to another by defining a _____.

- ▶ hyperlink
- ▶ **common attribute** [Click here for detail](#)
- ▶ primary key
- ▶ superkey

Question No: 25 (Marks: 1)

You can't modify more than one table at a time through a view.

- ▶ **True** [Click here for detail](#)
- ▶ False

Question No: 26 (Marks: 1)

Which of the following is one of the purposes of using DML commands?

- ▶ Creating databases
- ▶ Destroying databases
- ▶ **Inserting data in tables (Page 208)**
- ▶ Non of the above

FINAL TERM EXAMINATION
Spring 2010
CS403- Database Management Systems

Question No: 1 (Marks: 1)

Which of the following statements is true about the views?

- ▶ view is always a complete set of all the tables in a database
- ▶ View can not be used for retrieving data
- ▶ **The results of using a view are not permanently stored in the database.** [Click here for detail](#) rep
- ▶ Rows can not be updated or deleted in the view

Question No: 2 (Marks: 1)

What is the alternate name of Data Dictionary?

- ▶ Index
- ▶ Metadata
- ▶ Data
- ▶ **System Catalog** [Click here for detail](#)

Question No: 3 (Marks: 1)

IN function helps reduce the need to use multiple AND conditions.

- ▶ True
- ▶ **False** (Page 218)

Question No: 4 (Marks: 1)

Browser based forms are developed in the following tools EXCEPT

- ▶ HTML
- ▶ Scripting language
- ▶ Front Page
- ▶ **Web-based Forms** (Page 241) rep

Question No: 5 (Marks: 1)

Which of the following are the general activities, which are performed during the development of application programs?

- ▶ Data input programs
- ▶ Editing
- ▶ Display
- ▶ **All of given** (Page 238) rep

Question No: 6 (Marks: 1)

Which of the following is not true about De-normalization?

- ▶ It is the process of attempting to optimize the performance of a database
- ▶ **De-normalization is a technique to move from lower to higher normal forms of database modeling** (Page 187)
- ▶ It enhances the performance of DB
- ▶ In de-normalization it is required to add redundant data.

Question No: 7 (Marks: 1)

Which of the following gives all the fields from employee table named as EMP?

- ▶ **SELECT * from EMP; (Page 216)**
- ▶ SELECT emp* from EMP'
- ▶ SELECT emp_id where EMP;
- ▶ SELECT * where EMP;

Question No: 8 (Marks: 1)

Which of the following types of partitioning reduces the chances of unbalanced partitions?

- ▶ Vertical
- ▶ List
- ▶ **Hash (Page 189)**
- ▶ Range

Question No: 9 (Marks: 1)

While recovering data, which of the following files does a recovery manager examines at first?

- ▶ A system file
- ▶ **Log file (Page 303)**
- ▶ Data dictionary
- ▶ Metadata

Question No: 10 (Marks: 1)

Which of the following is NOT a feature of Indexed sequential files?

- ▶ Records are stored in sequence and index is maintained.
- ▶ Dense and nondense types of indexes are maintained.
- ▶ **Track overflows and file overflow areas can not be ensured. (Page 264) rep**
- ▶ Cylinder index increases the efficiency

Question No: 13 (Marks: 1)

ALTER TABLE exams

RENAME COLUMN Q_description TO Question_Descp, Std_ID to Student_ID.

Syntax of ALTER TABLE is NOT correct.

- ▶ True
- ▶ **False**

Question No: 14 (Marks: 1)

Which of the following SQL commands deletes a record of an employee with the employee_id 12345, from a table named PERSON.

- ▶ **DELETE FROM person WHERE employee_id = '12345'**
- ▶ DELETE WHERE person FROM employee_id = 12345
- ▶ DROP FROM person WHERE employee_id = 12345
- ▶ DELETE WHERE person WHERE employee_id = 12345

Question No: 15 (Marks: 1)

Which of the following is not a form of optical disk?

- ▶ CD ROM
- ▶ WORM
- ▶ Erasable Optical
- ▶ **EEPROM (Page 257) rep**

Question No: 16 (Marks: 1)

Which of the following is the correct description of cache hit?

- ▶ **When data is found in the cache (Page 256) rep**
- ▶ When data is removed in the cache
- ▶ The number of times the cache is accessed directly by the processor
- ▶ When data is lost from the cache

Question No: 17 (Marks: 1)

In which of the following situations, Clustering is suitable:

- ▶ Frequently updating
- ▶ **Relatively static (Page 192) rep**
- ▶ Relatively deletion
- ▶ Relatively dynamic

Question No: 18 (Marks: 1)

Which of the following is disadvantage of chaining technique to handle the collisions?

- ▶ Unlimited Number of elements
- ▶ Fast re-hashing
- ▶ **Overhead of multiple linked lists (Page 269) rep**
- ▶ Maximum number of elements must be known

Muhammad Moaaz Siddiq MCS (3rd)

mc100401285@gmail.com

Campus:- Institute of E-Learning & Modern Studies
(IEMS) Samundari

Question No: 19 (Marks: 1)

Which of the following is NOT a component of a DFD? Select correct option:

- ▶ Dataflow
- ▶ Datastore
- ▶ External entities
- ▶ **Relationship between external entities (Page 57)**

Question No: 20 (Marks: 1)

Laser records data by burning microscopic holes in the surface of the disk with a

- ▶ Hard disk
- ▶ RAM
- ▶ **Optical disk (Page 257)**
- ▶ Floppy disk

Question No: 21 (Marks: 1)

Which of the following concepts is applicable with respect to 3NF?

- ▶ Full functional dependency
- ▶ Any kind of dependency
- ▶ **Transitive dependency (Page 180)**
- ▶ Partial functional dependency

Question No: 22 (Marks: 1)

Which of the following is NOT a feature of a good interface?

- ▶ Consistency
- ▶ Process based
- ▶ **Data structure based (Page 243)**
- ▶ User friendly

FINAL TERM EXAMINATION
Spring 2010
CS403- Database Management Systems

Question No: 1 (Marks: 1) - Please choose one

Making a change to the conceptual schema of a database but not affecting the existing external schemas is an example of

- ▶ Physical data independence.
- ▶ Concurrency control
- ▶ **Logical data independence.** [Click here for detail](#)
- ▶ Functional dependency

Question No: 2 (Marks: 1) - Please choose one

GRANT SELECT, UPDATE(Designation) ON Employee TO Amali,Hiruni WITH GRANT OPTION;

What does this SQL statement do?

- ▶ Grant permission to Amali,only to retrieve data from Employee table and grant permission to Hiruni, only to update the designation from Employee table.
- ▶ Grant permission to Hiruni in order to grant, select and update permission to Amali.
- ▶ Grant permission to Amali & Hiruni to update designation of employees in the Employee table
- ▶ **Grant permission to Amali and Hiruni to update all data except designation in Employee table**
[Click here for detail](#)

Question No: 3 (Marks: 1) - Please choose one

Which key word is available in SQL to enforce referential integrity?

- ▶ Check
- ▶ **Primary Key** (Page 134)
- ▶ Set Default
- ▶ Unique

Question No: 4 (Marks: 1) - Please choose one

Which of the following statements are Data Definition Language command?

- ▶ INSERT
- ▶ UPDATE
- ▶ GRANT
- ▶ **TRUNCATE** [Click here for detail](#)

Question No: 5 (Marks: 1) - Please choose one

How many clustered index(es) do each database table have?

- ▶ 2
- ▶ 3
- ▶ 5
- ▶ **1 (Page 275)**

Question No: 6 (Marks: 1) - Please choose one

Which of the following is true about DELETE command?

- ▶ is DDL Command.
- ▶ Resets identity of the table
- ▶ cannot activate a trigger
- ▶ **Can be Rolled back** [Click here for detail](#)

Question No: 7 (Marks: 1) - Please choose one

Which of the following will be deleted relating to a table if you use TRUNCATE command?

- ▶ **all rows in a table (Page 207)**
- ▶ indexes
- ▶ table structure and its columns
- ▶ constraints

Question No: 8 (Marks: 1) - Please choose one

Which of the following is not true about De-normalization?

- ▶ It is the process of attempting to optimize the performance of a database
- ▶ **De-normalization is a technique to move from lower to higher normal forms of database modeling (Page 187) rep**
- ▶ In de-normalization it is required to add redundant data.
- ▶ It enhances the performance of DB

Question No: 9 (Marks: 1) - Please choose one

Which of the following is not a feature of TRANSACTION?

- ▶ Users should be able to regard the execution of each transaction as atomic.
- ▶ Each transaction, run by itself.
- ▶ must preserve the consistency of the database
- ▶ **dependant on other concurrent transactions (Page 294)**

Question No: 10 (Marks: 1) - Please choose one

Which of the following gives all the fields from employee table named as EMP?

- ▶ **select * from EMP; (Page 216) rep**
- ▶ select emp* from EMP'
- ▶ select emp_id where EMP;
- ▶ select * where EMP;

Question No: 11 (Marks: 1) - Please choose one

Suppose there are 4 fields in a table named CUST (customer_id, first_name, last_name, phone). Which of the following gives all the information of the customers in the table whose last name is ALI?

- ▶ **SELECT * FROM CUST WHERE last_name='ALI'; (Page 216)**
- ▶ SELECT * FROM CUST WHERE last_name=ALI;
- ▶ SELECT * FROM CUSTOMER WHERE name=ALI;
- ▶ SELECT * FROM CUSTOMER WHERE last_name=ALI;

Question No: 12 (Marks: 1) - Please choose one

Identify the correct statement with respect to normalization.

- ▶ Normalization is a formal technique that can be used only at the starting phase of the database design.
- ▶ Normalization can be used as a top-down standalone database design technique.
- ▶ The process of normalization through decomposition must achieve the lossless join property at any cost whereas the dependency reservation property is sometimes sacrificed.
- ▶ **The process of normalization through decomposition must achieve the dependency reservation property at any cost whereas the lossless join property is sometimes sacrificed.**

Question No: 13 (Marks: 1) - Please choose one

Which of the following is not true with respect to denormalization ?

- ▶ A denormalized data model is not the same as a data model that has not been normalized
- ▶ **Denormalization takes place before the normalization process**
- ▶ It is an attempt to optimize the performance of database
- ▶ Denormalization process can not be initiated before the Database design

Question No: 14 (Marks: 1) - Please choose one

Which of the following is incorrect with respect to indexed sequential files?

- ▶ New records are added to an overflow file
- ▶ Record in main file that precedes it is updated to contain a pointer to the new record
- ▶ The overflow is merged with the main file during a batch update
- ▶ **Multiple indexes for the same key field cannot be setup (Page 264)**

Question No: 15 (Marks: 1) - Please choose one

Which of the following types of partitioning reduces the chances of unbalanced partitions?

- ▶ vertical
- ▶ List
- ▶ **Hash (Page 189) rep**
- ▶ Range

Question No: 16 (Marks: 1) - Please choose one

DML commands are used for:

- ▶ **inserting data into databases (Page 208)**
- ▶ creating databases
- ▶ destroying databases
- ▶ creating DB objects

Question No: 17 (Marks: 1) - Please choose one

Which of the following is INCORRECT with respect to file systems?

- ▶ At the physical level, pointer or hashed address scheme may be employed to provide a certain degree of data independence at the user level.
- ▶ **A logical record is concerned with efficient storage of information in the secondary storage devices.**
- ▶ Some physical organisations use pointers to record blocks to locate records on disk.
- ▶ The efficiency of a file system depends on how efficiently operations such as retrieve, insert, update, delete may be performed on the information stored in the file.

Question No: 18 (Marks: 1) - Please choose one

Which of the following is correct regarding Dataflow diagram?

- ▶ Single DFD is required to represent a system
- ▶ The dataflow must be bidirectional
- ▶ **Created at increasing levels of detail [Click here for detail](#)**
- ▶ Used to represent the relationships among the external entities

Question No: 19 (Marks: 1) - Please choose one

Select the correct statement among the following on proper naming of schema constructs:

- ▶ Entity type name applies to all the entities belonging to that entity type and therefore a plural name is selected for entity type.
- ▶ **In the narrative description of the database requirements, verbs tend to indicate the names of relationship types. [Click here for detail](#)**
- ▶ The nouns arising from a database requirement description can be considered as names of attributes.
- ▶ Additional nouns which are appearing in the narrative description of the database requirements represent the weak entity type names.

Question No: 20 (Marks: 1) - Please choose one

Structural constraints of a relationship type refer to

- ▶ identifying the owner entity type relevant to a given entity type
- ▶ **whether the existence of an entity depends on it being related to another entity via the relationship type.** [Click here for detail](#)
- ▶ the role that a participating entity from the entity type plays in each relationship instance.
- ▶ the constraints applicable in granting access to tables, columns and views in a database schema.

Question No: 21 (Marks: 1) - Please choose one

Identify the correct statement.

- ▶ Entity integrity constraints specify that primary key values can be composite.
- ▶ **Entity integrity constraints are specified on individual relations.** [Click here for detail](#)
- ▶ Entity integrity constraints are specified between weak entities.
- ▶ When entity integrity rules are enforced, a tuple in one relation that refers to another relation must refer to an existing tuple.

Question No: 22 (Marks: 1) - Please choose one

What is the impact of setting multiple indexes for the same key, in index sequential files?

- ▶ Multiple indexes for the same key can not be set
- ▶ **It increases efficiency (Page 263)**
- ▶ It decreases efficiency
- ▶ It will increase complexity as the access time will be increased

Question No: 23 (Marks: 1) - Please choose one

Which of the following is not true regarding Indexes?

- ▶ Index can be defined even when there is no data in the table
- ▶ It support Range selections
- ▶ It can be created using 'Create Index' statement
- ▶ **It can not be created on composite attributes (Page 273)**

Question No: 24 (Marks: 1) - Please choose one

While recovering data, which of the following files does a recovery manager examines at first?

- ▶ A system file
- ▶ **Log file (Page 303) rep**
- ▶ Data dictionary
- ▶ Metadata

Question No: 25 (Marks: 1) - Please choose one

The main memory of a computer system is also known as

- ▶ ROM
- ▶ **RAM (Page 256)**
- ▶ PROM
- ▶ Hard disk

Question No: 26 (Marks: 1) - Please choose one

_____ is a control that enables users to select one option from an associated list; users can also type an option.

- ▶ **Combo box** [Click here for detail](#)
- ▶ Button
- ▶ Text box
- ▶ Static area

Question No: 27 (Marks: 1) - Please choose one

_____ records data by burning microscopic holes in the surface of the disk with a laser.

- ▶ Hard disk
- ▶ RAM
- ▶ **Optical disk (Page 257) rep**
- ▶ Floppy disk

Question No: 28 (Marks: 1) - Please choose one

Which of following is NOT generally the aim of data partitioning and placement of data?

- ▶ Reduce Workload
- ▶ Balance Workload
- ▶ **Merging different relations (Page 189) rep**
- ▶ Speed up rate of useful works.

Question No: 29 (Marks: 1) - Please choose one

ALTER TABLE exams

RENAME COLUMN Q_description TO Question_Descp, Std_ID to Student_ID.

Syntax of ALTER TABLE is NOT correct.

- ▶ True
- ▶ **False rep**

Question No: 30 (Marks: 1) - Please choose one

Which of the following is true regarding Index?

- ▶ Index can only be created for a single table in database
- ▶ Index can maximum be created for two tables in database
- ▶ Index should be created for every table in the database
- ▶ Index can be created for every table in the database

FINAL TERM EXAMINATION

Spring 2010

CS403- Database Management Systems (Session - 1)

Question No: 1 (Marks: 1) - Please choose one

Which feature of database provides conversion from inconsistent state of DB to a consistent state ensuring minimum data loss?

- ▶ User accessible catalog
- ▶ Data processing
- ▶ Authorization service
- ▶ **Recovery service (Page 47) rep**

Question No: 2 (Marks: 1) - Please choose one

Which of the following statements is true about the views?

- ▶ view is always a complete set of all the tables in a database
- ▶ View can not be used for retrieving data
- ▶ **The results of using a view are not permanently stored in the database. [Click here for detail](#) rep**
- ▶ Rows can not be updated or deleted in the view

Question No: 3 (Marks: 1) - Please choose one

Which of the following is true about TRUNCATE?

- ▶ Can be Rolled back.
- ▶ Activates Triggers.
- ▶ is DML Command.
- ▶ **Resets identity of the table. Rep [Click here for detail](#)**

Muhammad Moaaz Siddiq MCS (3rd)

mc100401285@gmail.com

Campus:- Institute of E-Learning & Modern Studies
(IEMS) Samundari

Question No: 4 (Marks: 1) - Please choose one

Which of the following will be deleted relating to a table if you use TRUNCATE command?

- ▶ **all rows in a table (Page 207) rep**
- ▶ indexes
- ▶ table structure and its columns
- ▶ constraints

Question No: 5 (Marks: 1) - Please choose one

Which of the following is not true about relational tables?

- ▶ Column values are of the same kind.
- ▶ Each row is unique.
- ▶ Each column must have a unique name.
- ▶ **The sequence of rows is significant.** [Click here for detail](#)

Question No: 6 (Marks: 1) - Please choose one

Which of the following is not true about De-normalization?

- ▶ It is the process of attempting to optimize the performance of a database
- ▶ **De-normalization is a technique to move from lower to higher normal forms of database modeling (Page 187) rep**
- ▶ In de-normalization it is required to add redundant data.
- ▶ It enhances the performance of DB

Question No: 7 (Marks: 1) - Please choose one

Which of the following is the correct way to find out the size of cartesian product incase of CROSS JOIN?

- ▶ the number of columns in the first table multiplied by the number of columns in the second table.
 - ▶ the number of columns in the first table multiplied by the number of rows in the second table.
 - ▶ the number of rows in the first table multiplied by the number of columns in the first table.
 - ▶ **the number of rows in the first table multiplied by the number of rows in the second table.** rep
- [Click here for detail](#)

Question No: 8 (Marks: 1) - Please choose one

Which of the following is INCORRECT about VIEWS?

- ▶ **It is not possible to left out the data which is not required for a specific view.** (Page 280) rep
- ▶ A database view displays one or more database records on the same page.
- ▶ Views can be used as security mechanisms
- ▶ Views are generally used to focus the perception each user has of the database.

Question No: 9 (Marks: 1) - Please choose one

What is the maximum limit of keys in context with Indexed sequential files?

- ▶ 7
- ▶ **255 (Page 236)**
- ▶ 1
- ▶ 235

Question No: 10 (Marks: 1) - Please choose one

Structural constraints of a relationship type refer to

- ▶ identifying the owner entity type relevant to a given entity type
- ▶ **whether the existence of an entity depends on it being related to another entity via the relationship type.** [Click here for detail](#)
- ▶ the role that a participating entity from the entity type plays in each relationship instance.
- ▶ the constraints applicable in granting access to tables, columns and views in a database schema.

Question No: 11 (Marks: 1) - Please choose one

What is the impact of setting multiple indexes for the same key, in index sequential files?

- ▶ Multiple indexes for the same key can not be set
- ▶ **It increases efficiency (Page 263) rep**
- ▶ It decreases efficiency
- ▶ It will increase complexity as the access time will be increased

Question No: 12 (Marks: 1) - Please choose one

Which of the given techniques is/are used to improve query performance in database?

- ▶ Good File organization
- ▶ **Indexing** [Click here for detail](#)
- ▶ Both Indexing and Good File organization
- ▶ Select only one record per query

Question No: 14 (Marks: 1) - Please choose one

While recovering data, which of the following files does a recovery manager examines at first?

- ▶ A system file
- ▶ **Log file (Page 303) rep**
- ▶ Data dictionary
- ▶ Metadata

Question No: 15 (Marks: 1) - Please choose one

_____ is a control that users click to perform an action, set or toggle a state, or set an option.

- ▶ **Button** [Click here for detail](#)
- ▶ Text box
- ▶ Input form
- ▶ Report

CS403 Question No: 15

_____ is a control that enables users to select one option from an associated list; users can also type an option.

- ▶ **Combo box** [Click here for detail](#)
- ▶ Button
- ▶ Text box
- ▶ Static area

Question No: 16 (Marks: 1) - Please choose one

Partitions may become unbalanced in:

- ▶ **Range partitioning (Page 189) rep**
- ▶ Hash partitioning
- ▶ List partitioning
- ▶ Vertical partitioning

Question No: 17 (Marks: 1) - Please choose one

Only one type of constraint can be enforced in any table by **CREATE** command

- ▶ True
- ▶ **False (Page 205) rep**

Question No: 18 (Marks: 1) - Please choose one

ALTER TABLE exams

ALTER COLUMN Q_description varchar(50)

Syntax of ALTER TABLE is **NOT** correct.

- ▶ True
- ▶ **False (Page 207)**

Question No: 19 (Marks: 1) - Please choose one

Which of the following is disadvantage of **chaining** technique to handle the collisions?

- ▶ Unlimited Number of elements
- ▶ Fast re-hashing
- ▶ **Overhead of multiple linked lists (Page 269) rep**
- ▶ Maximum number of elements must be known

Question No: 20 (Marks: 1) - Please choose one

In which of the following, Materialized Views are suitable

- ▶ Data warehousing
- ▶ Decision support
- ▶ Mobile computing
- ▶ **All of the Given (Page 290)**

Question No: 21 (Marks: 1) - Please choose one

A software package designed to store and manage databases

- ▶ Database
- ▶ **DBMS (Page 18)**
- ▶ Data model
- ▶ Data

Question No: 22 (Marks: 1) - Please choose one

A superkey that does not contain a subset of attributes that is itself a superkey is called a ____.

- ▶ **candidate key (Page 82)**
- ▶ primary key
- ▶ superkey
- ▶ secondary key

Question No: 23 (Marks: 1) - Please choose one

A ____ relationship exists when an association is maintained within a single entity.

- ▶ **unary (Page 144)**
- ▶ ternary
- ▶ binary
- ▶ weak

Question No: 24 (Marks: 1) - Please choose one

Which of the following is NOT one of the ways of resolving deadlocks?

- ▶ Undoing all the updates made by the particular transaction which is the cause of deadlock.
- ▶ A message is passed to the victim and depending on the system the transaction may or may not be started again automatically.
- ▶ **Picking a list of all previously completed transactions and undoing all the updates. (Page 323)**
- ▶ Rollback `victim' transaction and restart it.

Question No: 25 (Marks: 1) - Please choose one

You can't modify more than one table at a time through a view.

- ▶ **True** [rep](#) [Click here for detail](#)
- ▶ False

Question No: 26 (Marks: 1) - Please choose one

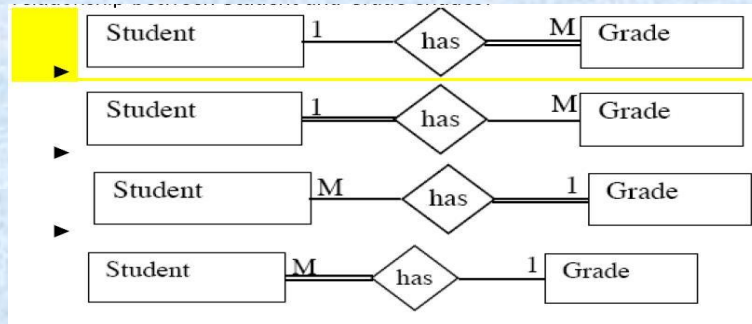
Which of the following is one of the purposes of using DML commands?

- ▶ Creating databases
- ▶ Destroying databases
- ▶ **Inserting data in tables** (Page 208) [rep](#)
- ▶ Non of the above

FINAL TERM EXAMINATION
Spring 2010
CS403- Database Management Systems

Question No: 1 (Marks: 1)

Which one of the following E-R diagrams most correctly represents the relationship between Student and Grade entities?



[Click here for detail](#)

Question No: 2 (Marks: 1)

Which of the following statements are Data Definition Language command?

- ▶ INSERT
- ▶ UPDATE
- ▶ GRANT
- ▶ **TRUNCATE** [Click here for detail](#) [rep](#)

Question No: 3 (Marks: 1)

Which of the following statements is true about the views?

- ▶ view is always a complete set of all the tables in a database
- ▶ View can not be used for retrieving data
- ▶ **The results of using a view are not permanently stored in the database.** [Click here for detail](#) rep
- ▶ Rows can not be updated or deleted in the view

Question No: 4 (Marks: 1)

How many clustered index(es) do each database table have?

- ▶ 2
- ▶ 3
- ▶ 5
- ▶ **1 (Page 275) rep**

Question No: 5 (Marks: 1)

Suppose there are 4 rows and 3 columns in TABLE1 and 6 rows and 5 columns in TABLE2; what is the size of the Cartesian product incase of CROSS JOIN between these two tables?

- ▶ **24** [Click here for detail](#) rep
- ▶ 20
- ▶ 18
- ▶ 15

Question No: 6 (Marks: 1)

Which of the following is not one of the properties of Transaction?

- ▶ atomicity
- ▶ consistency
- ▶ **redundancy (Page 294) rep**
- ▶ durability

Question No: 7 (Marks: 1)

Which of the following is INCORRECT about VIEWS?

- ▶ **It is not possible to left out the data which is not required for a specific view.** (Page 280) rep
- ▶ A database view displays one or more database records on the same page.
- ▶ Views can be used as security mechanisms
- ▶ Views are generally used to focus the perception each user has of the database.

Question No: 8 (Marks: 1)

Which of the following gives all the fields from employee table named as EMP?

- ▶ **select * from EMP; (Page 216) rep**
- ▶ select emp* from EMP'
- ▶ select emp_id where EMP;
- ▶ select * where EMP;

Question No: 9 (Marks: 1)

Consider the relation Interview(CandidateNo, InterviewDate, InterviewTime, StaffNo, RoomNo) and the following functional dependencies.

FD1 : CandidateNo, InterviewDate -> InterviewTime, StaffNo, RoomNo

FD2 : RoomNo, InterviewDate, InterviewTime -> StaffNo, CandidateNo

FD3 : StaffNo, InterviewDate -> RoomNo

Which of the following is correct?

- ▶ **The relation Interview is in 3NF [Click here for detail](#)**
- ▶ The relation Interview is in BCNF.
- ▶ The FD3 violates 3NF.
- ▶ The FD2 violates 2NF.

Question No: 10 (Marks: 1)

Which of the following types of partitioning reduces the chances of unbalanced partitions?

- ▶ vertical
- ▶ List
- ▶ **Hash (Page 189) rep**
- ▶ Range

partitions to a large extent **Question No: 11 (Marks: 1)**

Which of the following is one of the purposes of using DDL commands?

- ▶ inserting records into databases
- ▶ updating records into databases
- ▶ manipulating databases
- ▶ **creating and destroying databases (Page 196)**

Question No: 12 (Marks: 1)

Which of the following statements creates a database named COMPANY.

- ▶ **CREATE DATABASE company**
- ▶ CREATE DB company
- ▶ ADD DATABASE copmany
- ▶ CREATE company DATABASE

Question No: 13 (Marks: 1)

What is the impact of setting multiple indexes for the same key, in index sequential files?

- ▶ Multiple indexes for the same key can not be set
- ▶ **It increases efficiency (Page 263) rep**
- ▶ It decreases efficiency
- ▶ It will increase complexity as the access time will be increased

Question No: 14 (Marks: 1)

Consider a transaction which includes following operations

$Z = Z + 10$

Write Z

...

Suppose that the value of Z after addition and the execution of this operation is 17. Now against the write operation the entry made in the log file will be

What does Z reflects in the above entry?

- ▶ **Object being updated (Page 302)**
- ▶ Identity of the transaction
- ▶ Object value
- ▶ Identity of the next transaction to be executed

Question No: 15 (Marks: 1)

Which of the following is not true regarding DB transactions?

- ▶ **A set of database operations that are processed partly (Page 291) rep**
- ▶ A database transaction is a logical unit of database operations
- ▶ A database transaction must be atomic
- ▶ A database transaction must contains the ACID property

Question No: 16 (Marks: 1)

Which of the following is not true about input forms?

- ▶ Provide an easy, effective, efficient way to enter data into a table
- ▶ Especially useful when the person entering the data is not familiar with the inner workings
- ▶ Provide different controls to add data into the tables
- ▶ **One input forms can populate one table at a time (Page 246)**

Question No: 17 (Marks: 1)

Which of the following is an example of volatile memory?

- ▶ **RAM**
- ▶ ROM
- ▶ Flash memory
- ▶ CPU

Question No: 18 (Marks: 1)

Which of following is **NOT** generally the aim of data partitioning and placement of data?

- ▶ Reduce Workload
- ▶ Balance Workload
- ▶ **Merging different relations (Page 189) rep**
- ▶ Speed up rate of useful works.

Question No: 19 (Marks: 1)

ALTER TABLE exams

RENAME COLUMN Q_description TO Question_Descp, Std_ID to Student_ID.

Syntax of ALTER TABLE is **NOT** correct.

- ▶ True
- ▶ **False rep**

Question No: 20 (Marks: 1)

Which of the following is Advantage of **Re-Hashing** technique to handle the collisions?

- ▶ Collisions don't use primary table space
- ▶ Unlimited number of elements
- ▶ **Fast access through use of main table space (Page269)**
- ▶ Overhead of multiple linked lists

Question No: 21 (Marks: 1)

Materialized views and Indexes are **NOT** similar by the following way(s).

- ▶ They consume storage space
- ▶ They must be refreshed when the data in their master tables changes.
- ▶ **They can be accessed directly using a SELECT statement (Page 291)**
- ▶ All of the Given

Question No: 22 (Marks: 1)

Select 'NORTH', CUSTOMER From CUST_DTLS Where REGION = 'N' Order By

CUSTOMER Union Select 'EAST', CUSTOMER From CUST_DTLS Where

REGION = 'E' Order By CUSTOMER

The above statement:

- ▶ Has an error - the string should be in double quotes.
- ▶ **Has an error - ORDER BY clause. [Click here for detail](#)**
- ▶ Does not have an error.
- ▶ Has an error - the string in single quotes 'NORTH' and 'SOUTH'.

Question No: 23 (Marks: 1)

A software package designed to store and manage databases

- ▶ Database
- ▶ **DBMS (Page 18) rep**
- ▶ Data model
- ▶ Data

Question No: 24 (Marks: 1)

Who is responsible for authorizing access to the database, for coordinating and monitoring its use ?

- ▶ Database Designers
- ▶ **Database Administrators (Page 26)**
- ▶ End Users
- ▶ Application Programmers

Question No: 25 (Marks: 1)

A super key that does not contain a subset of attributes that is itself a super key is called a ____.

- ▶ **candidate key (Page 82) rep**
- ▶ primary key
- ▶ superkey
- ▶ secondary key

Question No: 26 (Marks: 1)

A ____ entity has a primary key that is partially or totally derived from the parent entity in the relationship.

- ▶ strong
- ▶ **weak [Click here for detail](#)**
- ▶ business
- ▶ relationship

FINALTERM EXAMINATION - Fall 2009
CS403- Database Management Systems (Session - 4)

Question No: 1 (Marks: 1) - Please choose one

Which of the following SQL keywords is not used with DDL statements?

- ▶ Table
- ▶ **Update [Click here for detail](#)**
- ▶ Create
- ▶ Alter

Question No: 2 (Marks: 1) - Please choose one

Identify the constraint that limits the values that can be placed in a column.

- ▶ NOT NULL
- ▶ **CHECK** [Click here for detail](#)
- ▶ FOREIGN KEY
- ▶ UNIQUE

Question No: 3 (Marks: 1) - Please choose one

Suppose there are 8 rows and 4 columns in TABLE1 and 3 rows and 4 columns in TABLE2; what is the size of the cartesian product in case of CROSS JOIN between these two tables?

- ▶ **24** rep
- ▶ 32
- ▶ 12
- ▶ 16

Question No: 4 (Marks: 1) - Please choose one

Suppose there are 4 fields in a table named WORKER (Id, first_name, last_name, joining_year). Which of the following gives all the information of the workers who have joined after 1965?

- ▶ SELECT * FROM WORKER WHERE joining_Year>1965;
- ▶ **SELECT * FROM WORKER WHERE joining_Year>'1965';**
- ▶ SELECT * FROM WORKER AND joining_Year>'1965';
- ▶ SELECT * WHERE joining_Year>1965;

Question No: 5 (Marks: 1) - Please choose one

Which of the following enforces a relation into 1st normal form?

- ▶ **The domain of attribute must include only atomic values. (Page 167)**
- ▶ Every non-key attribute is fully functionally dependent on primary key
- ▶ non-key attribute is non-transitively dependent on primary key.
- ▶ Every non-key attribute is partially dependent on super key

Question No: 6 (Marks: 1) - Please choose one

Which of the following is NOT a feature of HASH ACCESS?

- ▶ indexes to search or maintain (Page 266)
- ▶ Very fast direct access
- ▶ Inefficient sequential access
- ▶ **Use when direct access is needed, but sequential access is not.**

Question No: 7 (Marks: 1) - Please choose one

Which of the following is NOT a feature of a good interface?

- ▶ data structure based (Page 243) rep
- ▶ user friendly
- ▶ consistency
- ▶ process based

Question No: 8 (Marks: 1) - Please choose one

Which of the following is true about application programs?

- ▶ develop before the database design
- ▶ Tools selection is made after the development database
- ▶ **meant to perform different operations by the user (Page 238)**
- ▶ must to design before the designing and developing database

Question No: 9 (Marks: 1) - Please choose one

Which of the following is incorrect with respect to indexed sequential files?

- ▶ New records are added to an overflow file
- ▶ Record in main file that precedes it is updated to contain a pointer to the new record
- ▶ The overflow is merged with the main file during a batch update
- ▶ **Multiple indexes for the same key field cannot be setup (Page 263)**

Question No: 10 (Marks: 1) - Please choose one

Which of the following is one of the purposes of using DDL commands?

- ▶ inserting records into databases
- ▶ updating records into databases
- ▶ manipulating databases
- ▶ **creating and destroying databases (Page 196) rep**

Question No: 11 (Marks: 1) - Please choose one

Which of the following statements creates a database named COMPANY.

- ▶ **CREATE DATABASE company rep**
- ▶ CREATE DB company
- ▶ ADD DATABASE copmany
- ▶ CREATE company DATABASE

Question No: 12 (Marks: 1) - Please choose one

A relation (from the relational database model) consists of a set of tuples, which implies that

- ▶ Relational model supports multi-valued attributes whose values can be represented in sets.
- ▶ for any two tuples, the values associated with all of their attributes may be the same.
- ▶ **for any two tuples, the values associated with one or more of their attributes must differ. [Click here for detail](#)**
- ▶ all tuples in a particular relation may have different attributes.

Question No: 13 (Marks: 1) - Please choose one

Select the correct statement among the following on proper naming of schema constructs:

▶ Entity type name applies to all the entities belonging to that entity type and therefore a plural name is selected for entity type.

▶ **In the narrative description of the database requirements, verbs tend to indicate the names of relationship types.** [Click here for detail](#) **rep**

▶ The nouns arising from a database requirement description can be considered as names of attributes.

▶ Additional nouns which are appearing in the narrative description of the database requirements represent the weak entity type names.

Question No: 14 (Marks: 1) - Please choose one

Structural constraints of a relationship type refer to

▶ identifying the owner entity type relevant to a given entity type

▶ **whether the existence of an entity depends on it being related to another entity via the relationship type.** [Click here for detail](#) **rep**

▶ the role that a participating entity from the entity type plays in each relationship instance.

▶ the constraints applicable in granting access to tables, columns and views in a database schema.

Question No: 15 (Marks: 1) - Please choose one

What is the impact of setting multiple indexes for the same key, in index sequential files?

▶ Multiple indexes for the same key can not be set

▶ **It increases efficiency (Page 263) rep**

▶ It decreases efficiency

▶ It will increase complexity as the access time will be increased

Question No: 16 (Marks: 1) - Please choose one

The information regarding 'views' and 'Integrity constraints' are found in

▶ **Both Data Dictionary and System Catalog**

▶ System Catalog

▶ Data Dictionary

▶ Indexes

Question No: 17 (Marks: 1) - Please choose one

Which of following is not the feature of Indexes?

▶ consume storage space.

▶ must be refreshed when the data in their master tables changes

▶ improve the performance of SQL execution when they are used for query rewrites

▶ **can be accessed directly using a SELECT statement (Page 291)**

Muhammad Moaaz Siddiq MCS (3rd)

mc100401285@gmail.com

Campus:- Institute of E-Learning & Modern Studies
(IEMS) Samundari

Question No: 18 (Marks: 1) - Please choose one

Which of the following is not true regarding DB transactions?

- ▶ **A set of database operations that are processed partly (Page 291) rep**
- ▶ A database transaction is a logical unit of database operations
- ▶ A database transaction must be atomic
- ▶ A database transaction must contains the ACID property

Question No: 19 (Marks: 1) - Please choose one

Which of the following are the general activities, which are performed during the development of application programs?

- ▶ Data input programs
- ▶ Editing
- ▶ Display
- ▶ **All of given (Page 238) rep**

Question No: 20 (Marks: 1) - Please choose one

Which of the following is not a type of user interface?

- ▶ Graphical User Interface (GUI)
- ▶ Forms
- ▶ **DB tables (Page 240)**
- ▶ Text based

Question No: 21 (Marks: 1) - Please choose one

Which of the following is not true about input forms?

- ▶ Provide an easy, effective, efficient way to enter data into a table
- ▶ Especially useful when the person entering the data is not familiar with the inner workings
- ▶ Provide different controls to add data into the tables
- ▶ **One input forms can populate one table at a time (Page 246) rep**

Question No: 22 (Marks: 1) - Please choose one

Which of the following is an example of volatile memory?

- ▶ **RAM**
- ▶ ROM
- ▶ Flash memory
- ▶ CPU

Question No: 23 (Marks: 1) - Please choose one

Partitions may become unbalanced in:

- ▶ **Range partitioning (Page 189) rep**
- ▶ Hash partitioning
- ▶ List partitioning
- ▶ Vertical partitioning

Question No: 24 (Marks: 1) - Please choose one

In SQL queries, while creating tables or relations in database, key columns may be specified by

- ▶ Data type
- ▶ Null
- ▶ **Not Null (Page 203)**
- ▶ Owner

Question No: 25 (Marks: 1) - Please choose one

Which of the following is disadvantage of **chaining** technique to handle the collisions?

- ▶ Unlimited Number of elements
- ▶ Fast re-hashing
- ▶ **Overhead of multiple linked lists (Page 269) rep**
- ▶ Maximum number of elements must be known

Question No: 26 (Marks: 1) - Please choose one

Which of the following is Advantage of **Re-Hashing** technique to handle the collisions?

- ▶ Collisions don't use primary table space
- ▶ Unlimited number of elements
- ▶ **Fast access through use of main table space (Page 269) rep**
- ▶ Overhead of multiple linked lists

Question No: 27 (Marks: 1) - Please choose one

Materialized views and Indexes are **NOT** similar by the following way(s).

- ▶ They consume storage space
- ▶ They must be refreshed when the data in their master tables changes.
- ▶ **They can be accessed directly using a SELECT statement (Page 291)**
- ▶ All of the Given

Question No: 28 (Marks: 1) - Please choose one

The ____ constraint specifies whether each entity supertype occurrence must also be a member of at least one subtype.

- ▶ **specialization** [Click here for detail](#)
- ▶ uniqueness
- ▶ inheritance
- ▶ completeness

Muhammad Moaaz Siddiq MCS (3rd)

mc100401285@gmail.com

Campus:- Institute of E-Learning & Modern Studies
(IEMS) Samundari

Question No: 29 (Marks: 1) - Please choose one

In a conceptual model for a university, what type of relationship exists between Grade and Student entities?

- ▶ 1:1
- ▶ **1:M** [Click here for detail](#)
- ▶ M:M
- ▶ Ternary

Question No: 30 (Marks: 1) - Please choose one

Which of the following is NOT one of the ways of resolving deadlocks?

- ▶ Undoing all the updates made by the particular transaction which is the cause of deadlock.
- ▶ A message is passed to the victim and depending on the system the transaction may or may not be started again automatically.
- ▶ **Picking a list of all previously completed transactions and undoing all the updates. (Page 323) rep**
- ▶ Rollback `victim' transaction and restart it.

FINAL TERM EXAMINATION

Fall 2008

CS403- Database Management Systems (Session - 3)

Question No: 1 (Marks: 1) - Please choose one

_____ records data by burning microscopic holes in the surface of the disk with a laser.

- ▶ Hard disk
- ▶ RAM
- ▶ **Optical disk (Page 257) rep**
- ▶ Floppy disk

Question No: 2 (Marks: 1) - Please choose one

_____ is a control that presents a set of choices from which a user can select one or more items; items can be text, graphics, or both.

- ▶ Text input
- ▶ Report
- ▶ Button
- ▶ **List box** [Click here for detail](#)

Muhammad Moaaz Siddiq MCS (3rd)

mc100401285@gmail.com

Campus:- Institute of E-Learning & Modern Studies
(IEMS) Samundari

Question No: 3 (Marks: 1) - Please choose one

_____ is a control that enables users to select one option from an associated list; users can also type an option.

- ▶ **Combo box** [click here for detail](#) **rep**
- ▶ Button
- ▶ Text box
- ▶ Static area

Question No: 4 (Marks: 1) - Please choose one

_____ is a control that users click to perform an action, set or toggle a state, or set an option.

- ▶ **Button** [click here for detail](#) **rep**
- ▶ Text box
- ▶ Input form
- ▶ Report

Question No: 5 (Marks: 1) - Please choose one

Which of the following is not true about input forms?

- ▶ Provide an easy, effective, efficient way to enter data into a table
- ▶ Especially useful when the person entering the data is not familiar with the inner workings
- ▶ Provide different controls to add data into the tables
- ▶ **One input forms can populate one table at a time (Page 246) rep**

Question No: 6 (Marks: 1) - Please choose one

Which of the following are the general activities, which are performed during the development of application programs?

- ▶ Data input programs
- ▶ Editing
- ▶ Display
- ▶ **All of given (Page 238) rep**

Question No: 7 (Marks: 1) - Please choose one

Which of the following should not be a property of a database transaction?

- ▶ Atomicity
- ▶ Isolation
- ▶ Durability
- ▶ **Divergence (page 291)**

Question No: 8 (Marks: 1) - Please choose one

The main memory of a computer system is also known as

- ▶ ROM (Page 256)
- ▶ PROM
- ▶ Hard disk

Question No: 9 (Marks: 1) - Please choose one

While recovering data, which of the following files does a recovery manager examines at first?

- ▶ A system file
- ▶ Log file (Page 303) rep
- ▶ Data dictionary
- ▶ Metadata

Question No: 10 (Marks: 1) - Please choose one

Which of the following is the correct way of removing the Index called branchNoIndex?

- ▶ DROP INDEX branchNoIndex;
- ▶ APPEND INDEX branchNoIndex;
- ▶ REMOVE INDEX branchNoIndex;
- ▶ DEL INDEX branchNoIndex;

Question No: 11 (Marks: 1) - Please choose one

What is the alternate name of Data Dictionary?

- ▶ Index
- ▶ Metadata
- ▶ Data
- ▶ System Catalog [Click here for detail](#) rep

Question No: 12 (Marks: 1) - Please choose one

The information regarding 'views' and 'Integrity constraints' are found in

- ▶ System Catalog
- ▶ Data Dictionary
- ▶ Indexes
- ▶ Both Data Dictionary and System Catalog

Question No: 13 (Marks: 1) - Please choose one

Identify the correct statement.

- ▶ Referential integrity constraints check whether the primary key values are unique.
- ▶ Referential integrity constraints check whether an attribute value lies in the given range.
- ▶ Referential integrity constraints are specified between entities having recursive relationships.
- ▶ When Referential integrity rules are enforced, a tuple in one relation that refers to another relation must refer to an existing tuple. (Page 134)

Muhammad Moaaz Siddiq MCS (3rd)

mc100401285@gmail.com

Campus:- Institute of E-Learning & Modern Studies
(IEMS) Samundari

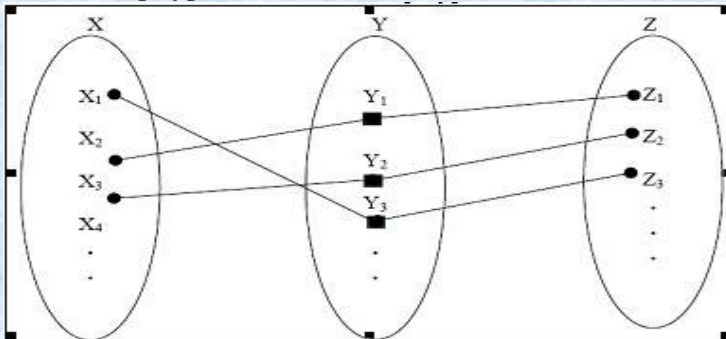
Question No: 14 (Marks: 1) - Please choose one

Select the correct statement among the following on proper naming of schema constructs:

- ▶ Entity type name applies to all the entities belonging to that entity type and therefore a plural name is selected for entity type.
- ▶ **In the narrative description of the database requirements, verbs tend to indicate the names of relationship types.** [Click here for detail](#) **rep**
- ▶ **The nouns arising from a database requirement description can be considered as names of attributes.**
- ▶ Additional nouns which are appearing in the narrative description of the database requirements represent the weak entity type names.

Question No: 15 (Marks: 1) - Please choose one

Consider the following diagram depicting a kind of a relationship type where X and Z are entities and Y is a relationship type:



Select the correct statement among the following on the above diagram.

- ▶ **The relationship type Y is of cardinality ratio 1 : N** [Click here for detail](#)
- ▶ The diagram depicts existence dependencies.
- ▶ The participation of X in the Y relationship type is total.
- ▶ The participation of Z in the Y relationship type is partial.

Question No: 16 (Marks: 1) - Please choose one

Identify the correct statement about ANSI/SPARC architecture.

- ▶ The external level is not concerned with individual user perceptions
- ▶ The internal level, in a database system, will always be relational
- ▶ Any given database has exactly one conceptual schema and one physical schema, but it may have several external schemas.
- ▶ **A data definition language is used to define the internal schema.** [Click here for detail](#)

Question No: 17 (Marks: 1) - Please choose one

Which of the following SQL commands deletes a record of an employee with the employee_id 12345, from a table named PERSON.

- ▶ **DELETE FROM person WHERE employee_id = '2345'**
- ▶ DELETE WHERE person FROM employee_id = 12345
- ▶ DROP FROM person WHERE employee_id = 12345
- ▶ DELETE WHERE person WHERE employee_id = 12345

Question No: 18 (Marks: 1) - Please choose one

Which of the following is NOT a feature of a good interface?

- ▶ consistency
- ▶ process based
- ▶ **data structure based (Page 243) rep**
- ▶ user friendly

Question No: 19 (Marks: 1) - Please choose one

Identify the correct statement with respect to normalization.

- ▶ Normalization is a formal technique that can be used only at the starting phase of the database design.
- ▶ Normalization can be used as a top-down standalone database design technique.
- ▶ The process of normalization through decomposition must achieve the lossless join property at any cost whereas the dependency reservation property is sometimes sacrificed.
- ▶ **The process of normalization through decomposition must achieve the dependency reservation property at any cost whereas the lossless join property is sometimes sacrificed.**

Question No: 20 (Marks: 1) - Please choose one

Which of the following concept is applicable with respect to 2NF?

- ▶ Non-transitive dependency
- ▶ **Full functional dependency (Page 167)**
- ▶ Partial dependency
- ▶ Transitive dependency

Question No: 21 (Marks: 1) - Please choose one

Suppose there are 4 fields in a table named CUST (customer_id, first_name, last_name, phone). Which of the following gives all the information of the customers in the table whose last name is ALI?

- ▶ **SELECT * FROM CUST WHERE last_name='ALI'; (Page 216) rep**
- ▶ SELECT * FROM CUST WHERE last_name=ALI;
- ▶ SELECT * FROM CUSTOMER WHERE name=ALI;
- ▶ SELECT * FROM CUSTOMER WHERE last_name=ALI;

Question No: 22 (Marks: 1) - Please choose one

Which of the following is INCORRECT about VIEWS?

- ▶ **It is not possible to left out the data which is not required for a specific view. (Page 280) rep**
- ▶ A database view displays one or more database records on the same page.
- ▶ Views can be used as security mechanisms
- ▶ Views are generally used to focus the perception each user.

Question No: 23 (Marks: 1) - Please choose one

Identify the advantage of DELETE command over TRUNCATE.

- ▶ **Can be Rolled back. [Click here for detail](#)**
- ▶ is DDL Command.
- ▶ cannot activate a trigger.
- ▶ faster and uses fewer system

Question No: 24 (Marks: 1) - Please choose one

Which of the following is true about TRUNCATE?

- ▶ Can be Rolled back.
- ▶ Activates Triggers.
- ▶ is DML Command.
- ▶ **Resets identity of the table. [Click here for detail](#) rep**

Question No: 25 (Marks: 1) - Please choose one

Which of the following statements is true about the views?

- ▶ view is always a complete set of all the tables in a database
- ▶ View can not be used for retrieving data
- ▶ **The results of using a view are not permanently stored in the database. [Click here for detail](#) rep**
- ▶ Rows can not be updated or deleted in the view

Question No: 26 (Marks: 1) - Please choose one

Which of the following statements are Data Definition Language command?

- ▶ INSERT
- ▶ UPDATE
- ▶ GRANT
- ▶ **TRUNCATE [click here for detail](#) rep**

Question No: 27 (Marks: 1) - Please choose one

GRANT SELECT, UPDATE(Designation) ON Employee TO Amali,Hiruni WITH GRANT OPTION;
What does this SQL statement do?

- ▶ Grant permission to Amali,only to retrieve data from Employee table and grant permission to Hiruni, only to update the designation from Employee table.
- ▶ Grant permission to Amali & Hiruni to retrieve data from Employee table.
- ▶ Grant permission to Hiruni in order to grant, select and update permission to Amali.
- ▶ **Grant permission to Amali and Hiruni to update all data except designation in Employee table** rep [click here for detail](#)

Question No: 28 (Marks: 1) - Please choose one

Making a change to the conceptual schema of a database but not affecting the existing external schemas is an example of

- ▶ Physical data independence.
- ▶ Concurrency control.
- ▶ **Logical data independence.** [Click here for detail](#) rep
- ▶ Functional dependency
- ▶ Logical data independence.

Question No: 29 Marks: 1) - Please choose one

Browser based forms are developed in the following tools EXCEPT

- ▶ HTML
- ▶ Scripting language
- ▶ Front Page
- ▶ **Web-based Forms** (Page 241) rep

Question No: 30 Marks: 1) - Please choose one

Which of the following statements are Data Manipulation Language command?

- ▶ **INSERT** [Click here for detail](#) rep
- ▶ GRANT
- ▶ TRUNCATE
- ▶ CREATE